



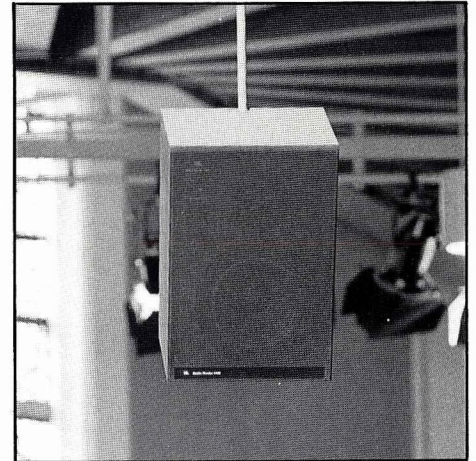
## A JBL INSTALLATION

### New Hope Community Church Portland, Oregon

His Sound is a Fresno, California based company which has made a specialty of sound system design for houses of worship, and the system installed in the New Hope Community Church of Portland, Oregon, is typical of their work.

The requirements for this complex system were as follows: high speech intelligibility and uniform coverage at all seats; high system gain before feedback, especially for choir reinforcement and fold-back monitoring; substantial flexibility to accommodate musical and dramatic productions, as well as simple audience response and participation; and finally, thorough integration of the system into the architecture.

A study of the basic signal flow diagram will show that this system is capable of delivering extremely high sound pressure levels throughout the house. As stated by Mike Garrison of His Sound, "An unusual criterion was that this church intended for their new sanctuary to be used as a concert hall by outside groups, sponsors, and promoters. They wanted a sound system that could handle live rock-n-roll, with no need for temporary portable equipment supplementation. As can be seen from the block diagram, we put in a fair amount of sub-woofer capability in the main cluster as well as in the under-balcony system. The building literally shakes when they do the 'earthquake scene as



Ten JBL 4408 Studio Monitors are used for the upper balcony.

the stone rolls away' for their Easter production. Mid-range and high-frequency coverage is excellent for music, and though some pattern overlap results in audible phase shift as you walk the room, TEF measurements indicate that the worst percentage AL-Cons is only 5.1%.

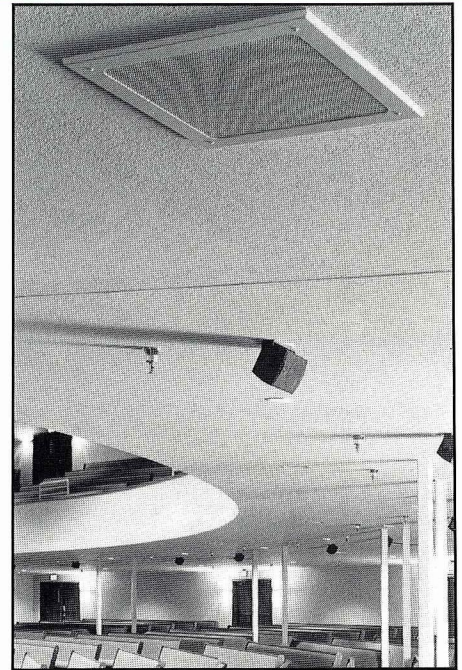


**JBL**

"Many live concerts have been given in this facility and all have gone well. The church's normal week in, week out uses are also facilitated more than adequately and without problems or hassles. The JBL products have performed to our expectations, as they almost always do, and I can speak for the church as well as for

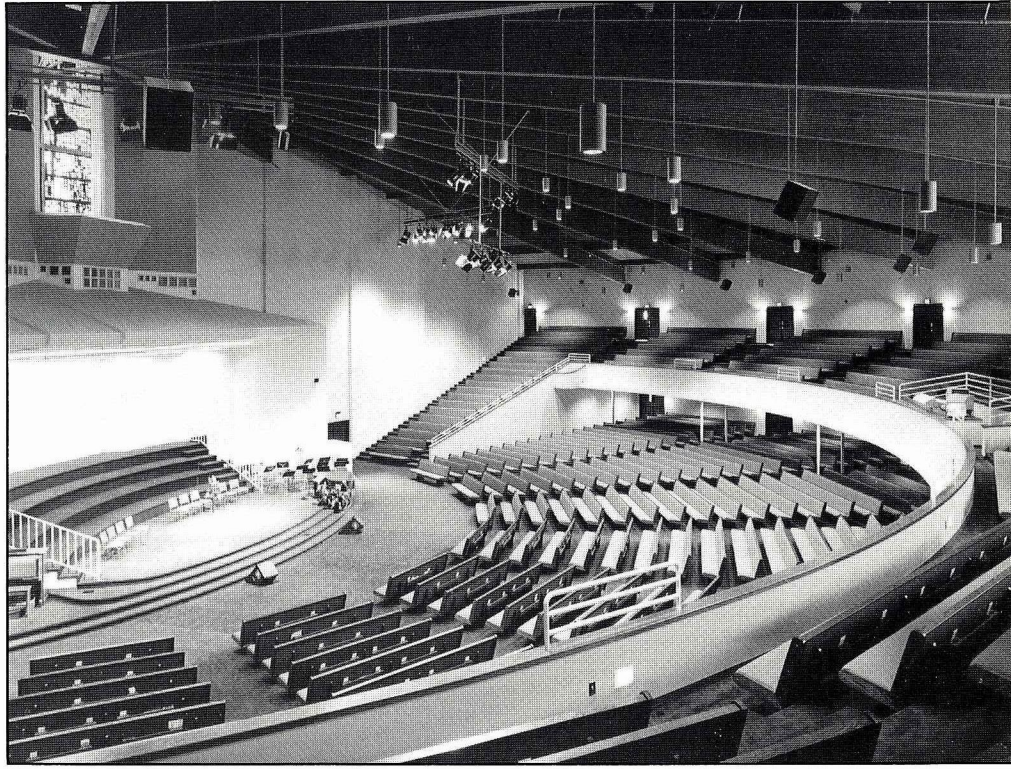
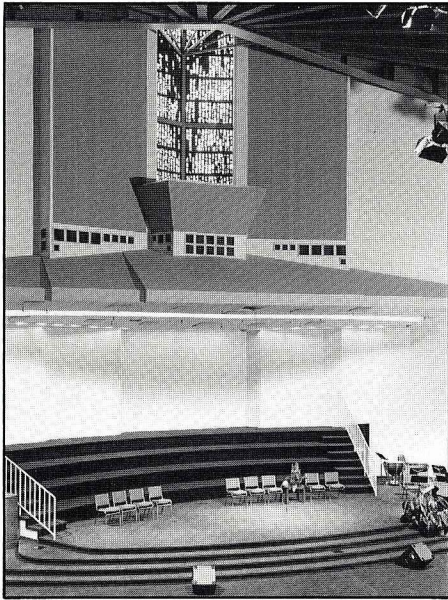
His Sound in saying that we are totally and enthusiastically satisfied!"

Pastor Dale Galloway of the church states, "We selected His Sound to work with our architect to ensure that our new 3000 seat auditorium would have good acoustics and a great sound system. The results have exceeded our highest expectations."



Eight JBL 2214H loudspeakers in custom cabinets are used as subwoofers under the balcony.





**Listing of JBL/UREI/Soundcraft equipment:**

- 6 JBL 2445J
- 6 JBL 2385
- 12 JBL 2123H
- 8 JBL 2245H
- 8 JBL 2214
- 2 JBL MI-291
- 2 JBL MI-12
- 10 JBL 4408
- 12 JBL 8216AT
- 16 JBL SLT-1
- 2 JBL 4604B
- 1 Soundcraft 500B 32
- 3 JBL/UREI 5547
- 2 JBL/UREI 6290
- 12 UREI 6260
- 2 JBL/UREI 6230

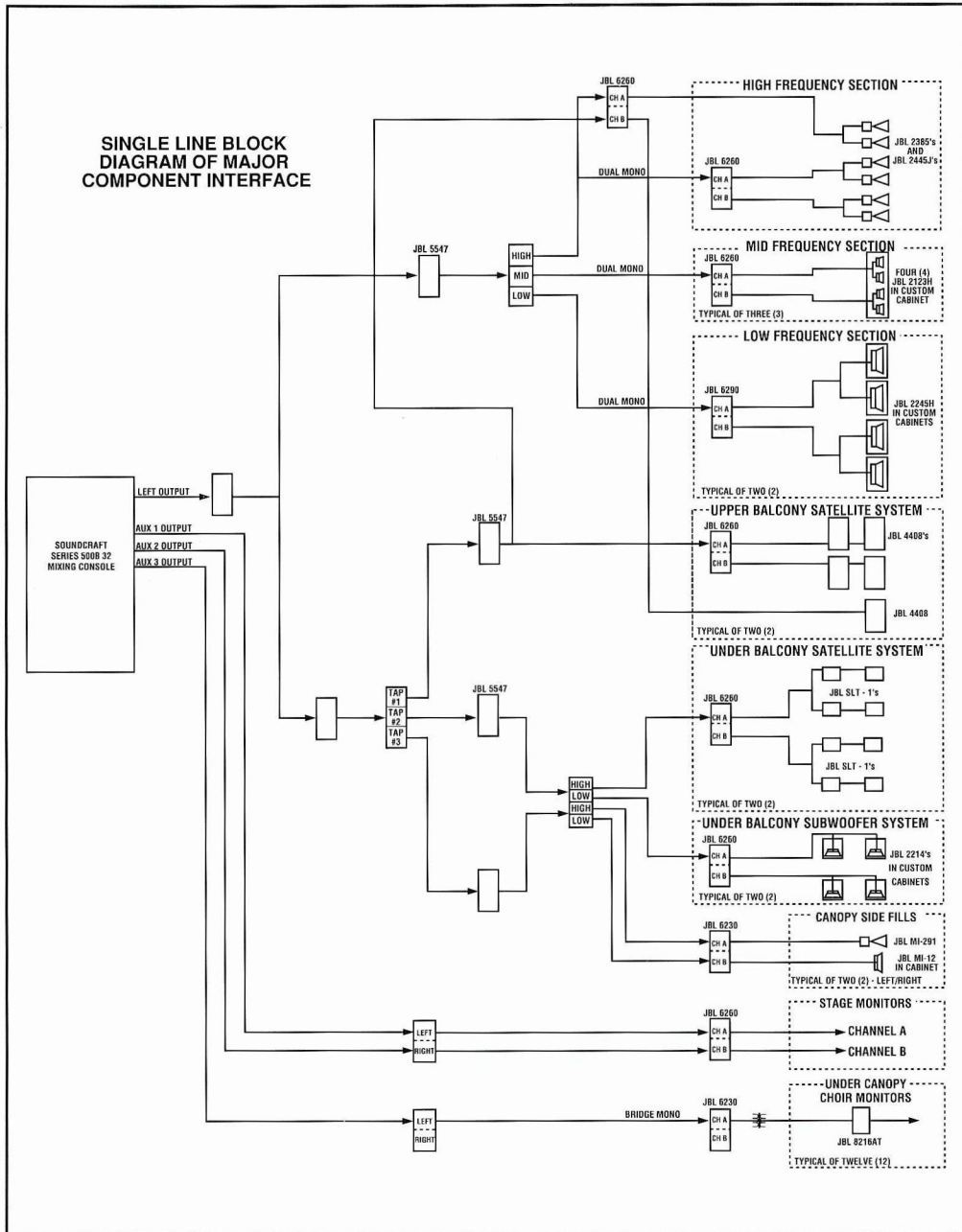
**CREDITS:**

**Architect:**  
Jerry Eaker, Eaker and Associates,  
Portland, Oregon

**Builder:**  
Brockamp & Jaeger, Inc.  
Oregon City, Oregon

**Acoustics and Sound System Design:**  
His Sound  
Mike Garrison, Steve Jellerson,  
and Jeff Long  
Portland, Oregon and Fresno,  
California

**Sound System Installation:**  
His Sound  
Tom Burns and Steve Montague  
Portland, Oregon



JBL Incorporated  
8500 Balboa Boulevard  
Northridge, California 91329, USA